



50 Ohm 5 Watts Tri-Metal Plated Brass 7/16
DIN Male RF Load Up To 7 GHz

TECHNICAL DATA SHEET

PE6100

50 Ohm 5 Watts Tri-Metal Plated Brass 7/16 DIN Male RF Load Up To 7 GHz

PE6100

Connector	7/16 DIN Male
Heat Sink	Brass, Tri-Metal
Connection Method	Standard
Body Style	Straight

Performance

Frequency Range, GHz	DC to 7
Impedance, Ohms	50
Maximum VSWR	1.25:1
Maximum Input Power, Watts	5

Dimensions

Size	
Length, in [mm]	1.685 [42.8]
Width/Dia., in [mm]	1.25 [31.75]

Connector

Type	7/16 DIN Male
Inner Conductor Material and Plating	Silver
Coupling Nut Material and Plating	Brass, Tri-Metal
Body Material and Plating	Brass, Tri-Metal
Dielectric Type	PTFE

Compliance (visit www.Pasternack.com for current document)

RoHS Compliant	Yes
REACH Compliant	06/18/2012

Click the following link (or enter part number in "SEARCH" on website) to obtain additional part information including price, [50 Ohm 5 Watts Tri-Metal Plated Brass 7/16 DIN Male RF Load Up To 7 GHz PE6100](#)

The information contained in this document is accurate to the best of our knowledge and representative of the part described herein. It may be necessary to make modifications to the part and/or the documentation of the part, in order to implement improvements. Pasternack reserves the right to make such changes as required. Unless otherwise stated, all specifications are nominal.





50 Ohm 5 Watts Tri-Metal Plated Brass 7/16
DIN Male RF Load Up To 7 GHz

TECHNICAL DATA SHEET

PE6100

Plotted and Other Data

Notes:

Values at 25 °C, sea level

50 Ohm 5 Watts Tri-Metal Plated Brass 7/16 DIN Male RF Load Up To 7 GHz from Pasternack Enterprises has same day V K S P H W I R U G R P H V W L F D G , W H U Q W L R Q R U G H U V 2 X 5) P L F U R D Y H D G E H U R S W L F S U R G K W V P D L W D L Q D Y D L O D E L O L W D are part of the broadest selection in the industry.

Click the following link (or enter part number in "SEARCH" on website) to obtain additional part information including price, L O H W R U D G F H U W L F D W L R 50 Ohm 5 Watts Tri-Metal Plated Brass 7/16 DIN Male RF Load Up To 7 GHz PE6100

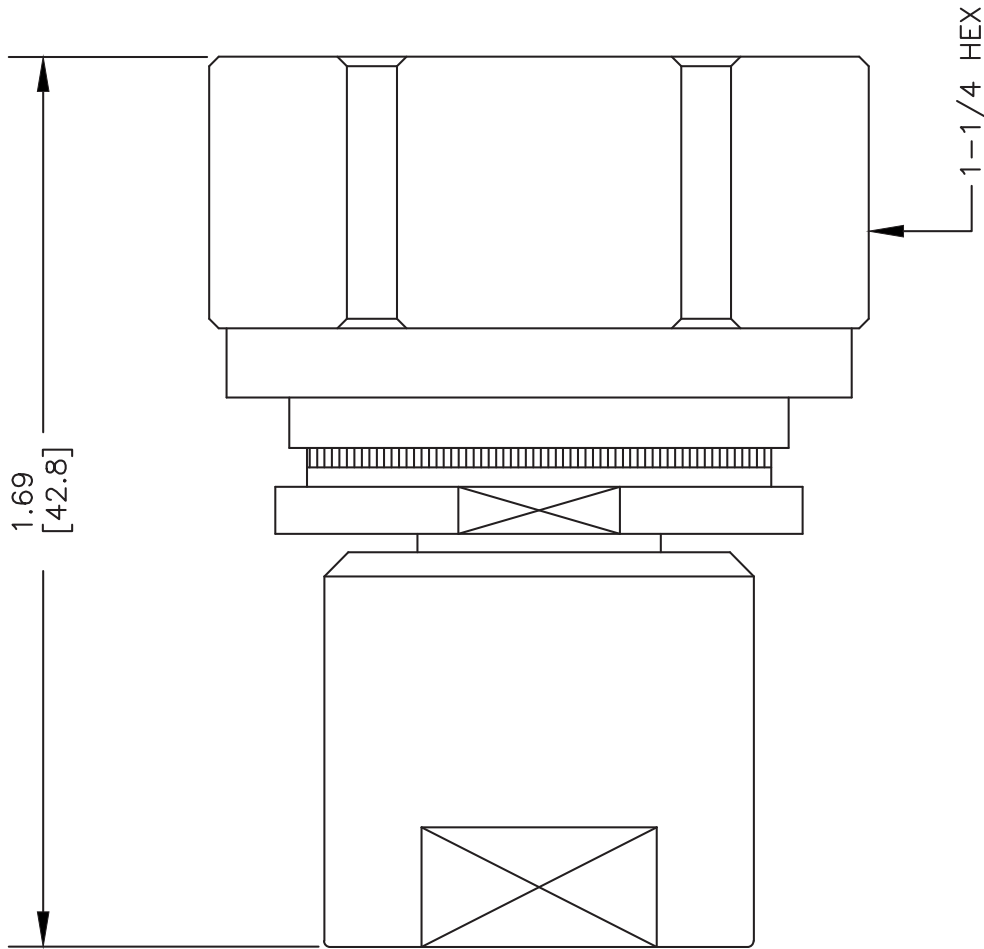
URL: <http://www.pasternack.com/5-watts-7-16-male-rf-load-up-to-7-ghz-pe6100-p.aspx>

The information contained in this document is accurate to the best of our knowledge and representative of the part described herein. It may be necessary to make modifications to the part and/or the documentation of the part, in order to implement improvements. Pasternack reserves the right to make such changes as required. Unless otherwise stated, all specifications are nominal.



PE6100BDZQ

50 Ohm 5 Watts Tri-Metal Plated Brass 7/16 DIN Male RF Load Up To 7 GHz



NOTES:
 1. UNLESS OTHERWISE SPECIFIED ALL DIMENSIONS ARE NOMINAL.
 2. ALL SPECIFICATIONS ARE SUBJECT TO CHANGE WITHOUT NOTICE AT ANY TIME.
 3. DIMENSIONS ARE IN INCHES [mm].

DWG TITLE
PE6100

REV. B FSCM NO. 53919

127

SIZE A

SCALE N/A

CAD FILE 022113-B

PE PASTERNAK®
 Pasternack Enterprises, Inc.
 P.O. Box 16759 | Irvine | CA | 92623
 Phone: (949) 261-1920 | Fax: (949) 261-7451
 Website: www.pasternack.com | E-Mail: sales@pasternack.com